

Angles for SAP Release Notes

Version: 24.2

Table of Contents

End user - Highlights	4
Performance Improvements.....	4
Introduction to Designer Workbench.....	4
Angles Search Page updated look and experience.....	4
End user - Fixes and improvements.....	5
O2C S2D: Introducing Time-Segment events for Deliveries.....	5
S2D: Component Scrap % added to object Bill of Material Item.....	5
OData: Support calculated fields in OData requests.....	5
Odata: Performance improvements.....	6
OData: Support fetching of Pivot display data when Field and Source field value is different.....	6
OData: Repeated errors in OData log file.....	6
Calculated Fields: ISLIKE function not working in EA4IT model.....	6
Calculated Fields: Drill down from pivot containing a calculated field is not working.....	6
Calculated Fields: Calculated fields available using a jump cannot be used in a calculated field.....	6
Bad Request error when executing angles on a dashboard.....	6
Filter: Incorrect angle data shown when multiple filters are applied with combinations of type set.....	7
Angle warnings when jump applied on angle level.....	7
System Insights/EA4IT: In List Display, a filter with value <not in set> results in error.....	7
Insert Column Panel text is not showing when hovering over Source.....	7
Angle Exports: Time in the Model data timestamp is different.....	7
Display marked as "execute at login" is failing.....	7
O2C: Creating angle on Packing Instruction Determination fails.....	7
P2P: PD/SD schedule line fields show minor inconsistencies.....	7
Fixed issues.....	6
[04550827] Projected Stock: stock transfer order requirements.....	8
[04550827] Stock transfer requirements are not included as requirement.....	8
[04651106] Model Server stops loading during "loading Classes".....	8
[04567087] Reference to from BOM Header to Material on Plant Level incorrect.....	8

- [04635882] O2C Sales Value correction 8
- [04642377] EA4IT: Missing data in object Extraction Tables 9
- [0389996] P2P - PD schedule lines are open in A4S while shown as closed in SAP 9
- 6. IT user - Fixes and improvements 9
 - Support for large file upload with federation authentication 9
 - Pendo: Version-based notifications 9
 - Missing detail when connection handling fails 9
 - Yellowbrick: Hint for Yellowbrick connection string format is wrong in Helptexts 9
 - Confirmation is not shown after content import 9
 - EAnitalize refresh run failed 9

End user - Highlights

Performance Improvements

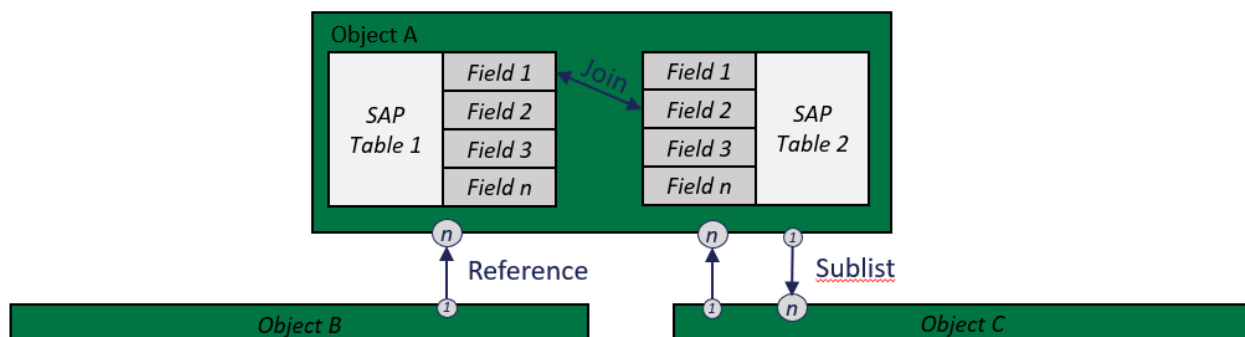
With this new release we have made significant improvements in both refresh and runtime performance. We are now able to support customer model with sizes up to 200 GB without any issue. Angle execution is much faster, due to improvements in the larger and more complex Classes in the AgS model.

Introduction to Designer Workbench

The Designer Workbench enables authorized users to make changes to the out-of-the-box Angles for SAP data model, making those changes available to all users and all reports affected by the customization.

In Version 24.1, you got a preview of the Designer Workbench. In version 24.2, it is available as standard Angles for SAP feature, with an updated user interface that provides a consistent user-experience. With the designer workbench you can now do the following:

- Create, edit and delete an object (class)
- Create and delete a table in an object (class)
- Create and delete additional fields in a table
- Create, edit and delete join relations between tables
- Create, edit and delete a new Reference or Sublist to/from other existing objects or classes

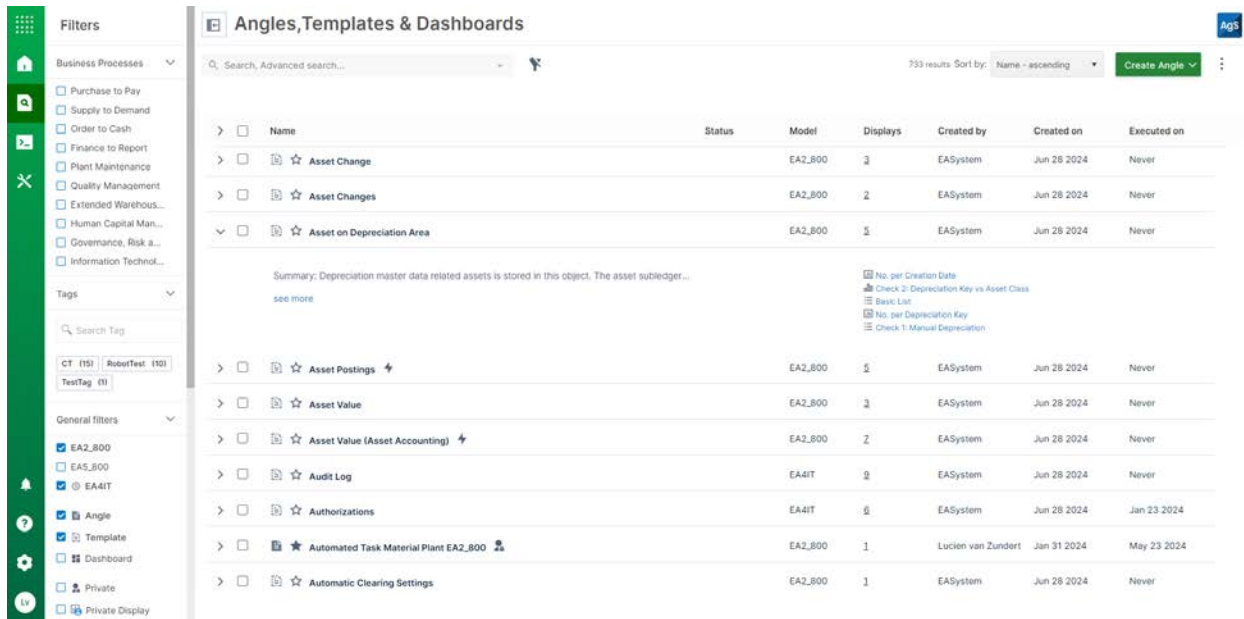


With these capabilities, you can add your own additions and integrate these into the standard Angles for SAP model or existing customizations. This adds flexibility to the standard Angles for SAP model to support specific use cases.

Angles Search Page updated look and experience

We've made it even easier to search and find the Angles and Displays you need. In the new look, the list of angles on the search page contains the most crucial high-level data points such as Model, Created By, Created on and Last Executed on. More detailed information on the angle

like help texts or available displays can still be found by expanding the view of the chosen angle, or by clicking on the number of displays.



End user - Fixes and improvements

O2C|S2D: Introducing Time-Segment events for Deliveries

In SAP, the Time Segment Events are stored in SAP Table TSEGE, and a new class *Time Segment* is now available to provide more insights into the events with a link to Deliveries. We have also added a calculation to show the Start Time and End Time in the local time zone instead of the UTC.

S2D: Component Scrap % added to object Bill of Material Item

Component Scrap % is used in SAP to account for material wastage or scrap that occurs during the manufacturing or production process.

To improve insight into the impact of scrape/waste on material requirements, the SAP field *Component Scrap % [STPO-AUSCH]* has been added to the object *Bill of Material Item*. In the template *BOM Item*, a new display Scrap % is added as a starting point for your analysis.

OData: Support calculated fields in OData requests

When requesting a display via OData, you can now also fetch calculated fields, in addition to regular fields.

Odata: Performance improvements

R2 OData performance was lagging. This has now been improved.

Fixed issues

OData: Support fetching of Pivot display data when Field and Source field value is different

For Pivots where the source_field and field value are different under grouping_fields, an error message was displayed when using OData link to fetch Pivot display data. This has now been resolved.

OData: Repeated errors in OData log file

The OData log file would show repeated errors on database connectivity. This is now improved using connection pooling.

Calculated Fields: ISLIKE function not working in EA4IT model

When using an ISLIKE function in combination with IF in the EA4IT model as shown in the following syntax, no validation warning was shown in the calculated field editor.

```
Syntax IF(ISLIKE([Modelname], '%EA4IT%')=true,'yes','no')
```

On saving the calculated field, it was added to the display but resulted in an error. This has been fixed.

Calculated Fields: Drill down from pivot containing a calculated field is not working

When creating a pivot containing a calculated field and when the default Drilldown Template was set to [None] (default), a 404: error was shown. This has been resolved.

Calculated Fields: Calculated fields available using a jump cannot be used in a calculated field

Fields available in the field chooser after adding a jump to an Angle were not usable in a calculated field. A validation warning message is shown. This has been resolved. All available fields can now be used in creating a calculated field.

Bad Request error when executing angles on a dashboard

A Bad Request error would be shown when executing angles on a dashboard. This has been resolved.

Filter: Incorrect angle data shown when multiple filters are applied with combinations of type set

The filter result showed incorrect results when multiple filters were applied with combinations of different type set. This has now been resolved.

Angle warnings when jump applied on angle level

Angles warnings were shown when applying a jump on the Angle level, but not while applying the same jump on the Display level. This has been resolved.

System Insights/EA4IT: In List Display, a filter with value <not in set> results in error

In EA4IT, when a list filter with value <not in set> is applied an error is shown. This has been resolved. a list filter with value <not in set> is now working correctly again.

Insert Column Panel text is not showing when hovering over Source

When hovering over the source of a field in the insert column panel or field chooser, the long-short name is now displayed as expected.

Angle Exports: Time in the Model data timestamp is different

Time in the Model data timestamp was different on summary sheet and display result when exporting an angle to excel. This has now been resolved.

Display marked as "execute at login" is failing

An angle/display was not executed on login when display was marked to "execute at login". This has been resolved.

O2C: Creating angle on Packing Instruction Determination fails

Creating an angle on object Packing Instruction Determination failed with an error message. This has now been fixed.

P2P: PD/SD schedule line fields show minor inconsistencies

Purchase and Sales Document schedule line fields Invoiced-, Serviced- and Delivered value show minor inconsistencies in local currency when calculated from document currency. This has been fixed by improving the logic. Calculation factors are now directly derived from [EKBE] History per Purchasing Document instead of the Company code related currency exchange rate factors [TCURR]. As a result, all purchase document schedule lines that have a specific currency

factor stored at the moment of invoicing/servicing/delivery, are now converted to the local currency correctly.

[04550827] Projected Stock: stock transfer order requirements

In calculating the projected stock, some orders with logistic behavior equal to *Stock transfer within plant* or *Stock transfer between plants* were regarded as intercompany orders. This was incorrect for orders for which the demand for that material in the supplying plant was to be excluded as a requirement in the MRP planning. This has been corrected.

[04550827] Stock transfer requirements are not included as requirement

In SAP, in the material master, you can use the field *MRP relevancy dep. requirements* [MARC-AHDIS] to exclude demand as a requirement in the MRP planning. To calculate the requirements in the AgS logic, this SAP setting is considered, but certain scenarios were not supported correctly, resulting in differences between the SAP Stock Requirements List [MD04] and AgS calculated requirements. The AgS requirements determination logic has been improved as follows:

- MRP relevancy dep. requirements logic is now also being applied to:
 - Stock Transfer orders between two plants: Purchase documents (e.g. UB orders), Stock transfer Purchase requisitions and Stock transfer Planned orders
 - Materials planned within an MRP-area, using the MRP relevancy-indicator as defined in the master data of the material on MRP-area level [MDMA- AHDIS]
- Reorder point demand is excluded from the calculation of the fields *Open GI quantity planned* and *Open GI quantity total*. This replicates the same logic as used in SAP MD04 fixed & planned issues in the MD0 'stocks & coverage' tab. As a result of these improvements, the correct requirements are calculated and used as input for the AgS supply/demand matching.

[04651106] Model Server stops loading during "loading Classes"

After data extraction is completed, the Model Server should load the data. Instead, after around 2 hours of loading, an error is shown, and the system stops loading. This issue has been resolved.

[04567087] Reference to from BOM Header to Material on Plant Level incorrect

If a BOM header exists in multiple plants, the reference from the object *BOM header* to the object *Material on Plant level* could be incorrect. This has now been resolved.

[04635882] O2C Sales Value correction

For over-deliveries and Sales Orders with a down-payment (Billing document type 'FAZ'), the Sales Value has been corrected, to match with the Net value of the SD item in SAP VA03.

[04642377] EA4IT: Missing data in object Extraction Tables

The object *Extraction tables* was missing data due to a failure in the refresh of the Model Refresh Stats table. This is now resolved.

[0389996] P2P - PD schedule lines are open in A4S while shown as closed in SAP

Certain PD schedule lines are shown open in AgS while they are shown as closed (closed by GR) in SAP. This has now been resolved by introducing an improved PD schedule line creation logic.

6. IT user - Fixes and improvements

Support for large file upload with federation authentication

Support is added to enable upload of large files with federation authentication.

Pendo: Version-based notifications

Angles for SAP is using Pendo to send 'pop-up' notifications to users. Until now the notifications sent to the users were not dependent on the version installed. This could be confusing to users, when new features were communicated which did not apply to the version they were using. By making the notifications version dependent, users will receive the notifications only after upgrading to the feature relevant version.

Missing detail when connection handling fails

When an error occurred on setting up connections for OData, the log file would not show the required detailed information for debugging. This has been resolved.

Yellowbrick: Hint for Yellowbrick connection string format is wrong in Helptexts

When following the hint in Helptexts for the Yellowbrick connection string, the save action would fail with an error message in RMS log stating some keywords are not recognized. This has been resolved.

Confirmation is not shown after content import

After import of a standard content package, the toast confirming the successful import was not shown anymore. This has now been resolved

EAinitialize refresh run failed

The EAinitialize refresh run failed showing error in the RMS logfile: 'Model load error - Requested value 'Enumeration' was not found. [InstanceID: 240418-1133322435] This has now been fixed.

